

Caller ID with Phone Ring Controller User's Guide (V-II)

By **J F Technical Developing, LLC**
www.JFTeck.com

Thank you for purchasing the Caller ID with Ring controller from J F Technical developing company. For FCC registration information, please refer to the end of this document.

FEATURES:

- Keeps track of incoming calls - up to 100 phone numbers and names
- Displays caller's name and phone number as well as date and time of the call (with phone company's caller ID subscription)
- Database list stores up to 270 phone numbers and names in three levels:
 1. List A (Important Callers); 100 numbers
 2. List B (Normal Callers); 100 numbers
 3. List R (Reject Callers); 70 numbers
- Two ways to input phone numbers into list
 - Manually
 - Saved from incoming calls received
- Easy to add, update and delete names and phone numbers from database
- Ability to control which calls will ring on the phone
- Locate phone numbers quickly and easily by searching
- Review of incoming caller records
- Review of names and phone numbers from database
- Data protection to prevent loss due to power failures - no batteries needed
- Speed dial feature to help with outgoing calls
- Since this device is a mini computer, memory resets are possible

Parts Checklist:

The package includes the following items:

- Caller ID with ring controller unit;
- One AC adopter (AC 110V input, DC 9V output);
- One telephone line cord;
- User's guide;

Phone number database:

This device has three separate telephone number database where contact information can be stored:

1. **List A** may store up to 100 important phone numbers and names for those callers that you would like to speak to at anytime, the indicator light is shows red;
2. **List B** may store up to 100 phone numbers and names for those callers that you would like to speak to some of the time, the indicator light is shows green;
3. **List R** may store up to 70 phone numbers and names for those callers that you would not like to speak to at anytime, the indicator light is shows yellow.

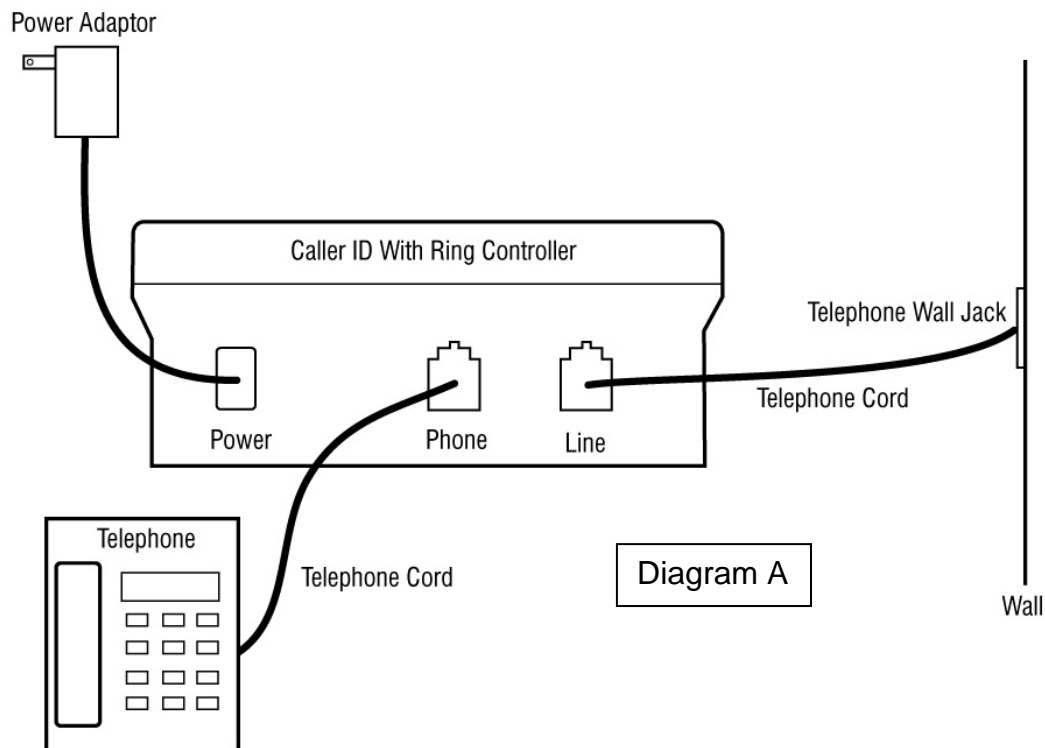
Caller ID Service:

To use this device you must sign up for caller ID service from your local phone company. Most telephone companies offers two levels of caller ID service. The basic level is only to display the phone number. In order to best utilize the full potential of this device, you need to be subscriber for the full service (Phone number and name) provided by your local phone company.

Installation

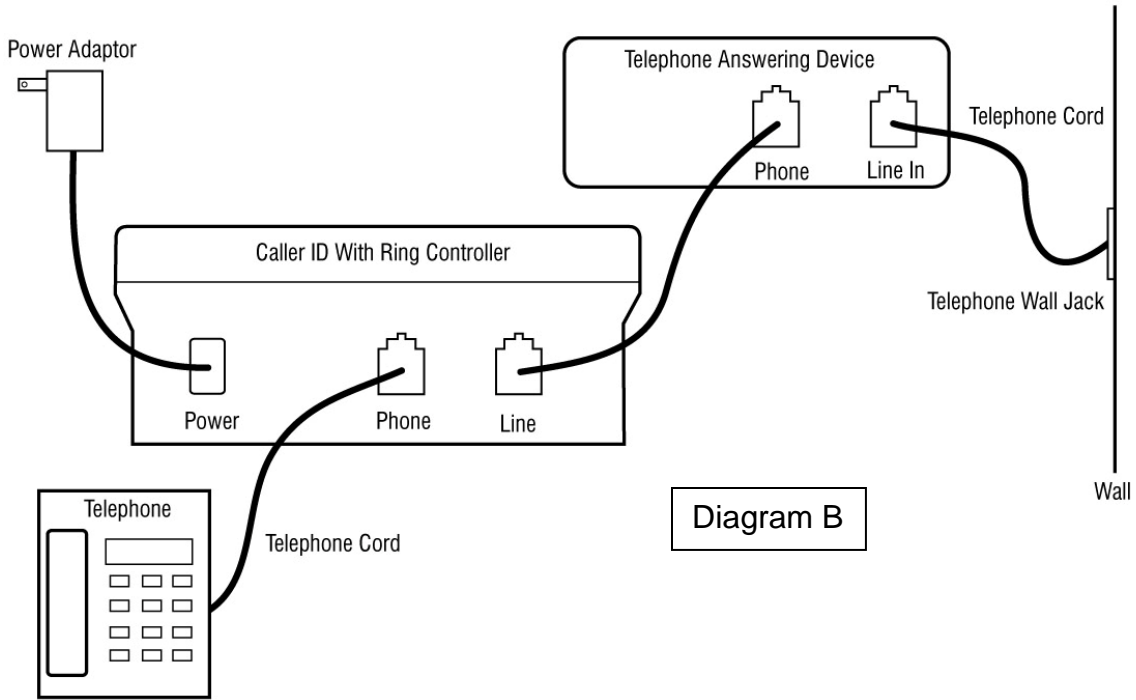
Installation with a standard telephone

This device must be located prior to telephone as showing in the following diagram A:

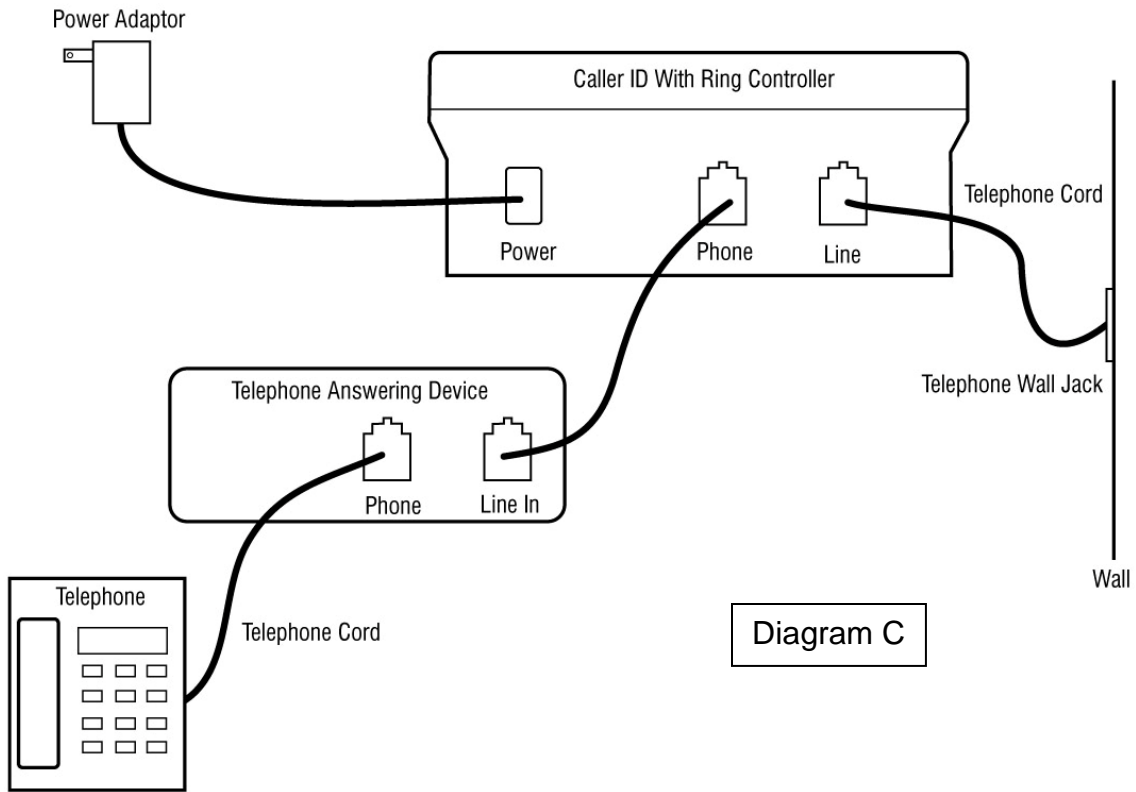


Installation with Telephone Answering Device

Option 1 – When you would like to have ALL calls answered by your answering machine. This means that even calls that do not ring your phone will be answered by the answering machine. See Diagram B



Option 2 – If you wish to have this device filter calls for your answering machine and your phone. See Diagram C



The Menu

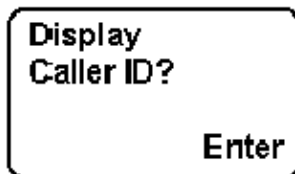
Pressing the **Menu** key will scroll through the following choices:

- Display caller ID
- Set phone number by keys
- Set up control level
- Display List A? (Important phone numbers)
- Display List B? (Normal phone numbers)
- Display List R? (Reject phone numbers)
- Search phone number by first character of last name

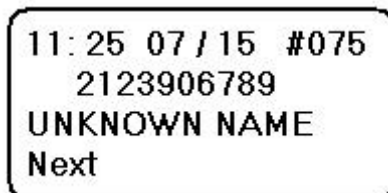
To select the desired feature, press the **Enter** key.

To Display Recent Caller's Information

Press the **Menu** key until the display reads "Display Caller ID".

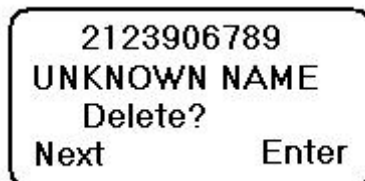


Press the **Enter** key.



Press the **▲** or **▼** keys to review the caller's information. This device can store up to 100 of the most recent callers' names and phone numbers. It will automatically delete the first 50 records after the 100th record.

To delete a record, press the **Next** key, the word Delete will appear on the screen.



Then press **Enter**.

Input phone number into database list

Follow the steps outlined in the previous example, but instead of pressing the **Enter** key in the final step, press the **Next** key instead. The words "Send to List A" will appear on the screen.

```
2123906789
UNKNOWN NAME
Send to list A?
Next      Enter
```

Press the **Enter** key if this is an "important" person to you.
If not, press the **Next** key, the words "Send to List B" will appear on the screen.

```
2123906789
UNKNOWN NAME
Send to list B?
Next      Enter
```

Press the **Enter** key if you want to designate this person as a "normal" caller to you.
If not, press the **Next** key, the words "Send to list R" will appear on the screen.

```
2123906789
UNKNOWN NAME
Send to list R?
Next      Enter
```

Press the **Enter** key if you would like to reject his/her phone calls completely

Manually input phone number into database





Press the **Menu** key until the display reads "Set phone number by keys".

```
Set Phone # by
Keys?


Enter
```

Then press the **Enter** key.

```
T : 00000000000000
Auto input name
after call
Next
```

Then use the  or  to scroll through the numbers 0-9 and the  or  to move the cursor to the next number.

```
T : 4127708905 _
Auto input name
after call
Next
```

Then press the  key, to enter a name for this number.

```
4127708905
*
_
change name
Next
```

Press left, right, up or down keys:

```
4127708905
JOHN DOW
change name
Next
```

then press  key to select which List you want to add the number to.


```
T : 4127708905
JOHN DOW
Send to list A?
Next      Enter
```

or

```
T : 4127708905
JOHN DOW
Send to list B?
Next      Enter
```

or

```
T : 4127708905
JOHN DOW
Send to list R?
Next      Enter
```

and press the  key to input the number and name into a list.

Note - You do not have to input the caller's name;

4127708905
*
Send to list A?
Next Enter

or

4127708905
*
Send to list R?
Next Enter

Name will be stored after he/she calls you.

Wild card:

To block out a whole range of phone numbers you can use the wild card function:

You can **use the space as a wild card** to represent any number from 0, to 9 by pressing the **▲** or **▼** keys. (This only applies to last 7 digits; the first 3 digits must be numbers).

Examples:

412770890 _
*
Send to list B?
Next Enter

The number 412770890_ has a space that represents 4127708900, 4127708901, etc., up to 4127708909.

The wild card is allowed for last 7 digits, the first 3 – 4 digits must be number:

It will be able to do as 800_ _ _ _ _ or 1800 _ _ _ _ _

T: 800_ _ _ _ _
*
Send to list R?
Next Enter

or

T: 1800_ _ _ _ _
*
Send to list R?
Next Enter

and press the **Enter** key, then any 800 numbers will be blocked.

Review and update your database

Press the **Menu** key until the display reads "Display List A?".

```
Display List A?  
(Import Phone #)  
  
Enter
```

Then press the **Enter** key.

```
[00] #045  
3132347890  
LOUIS PAUL  
Next
```

press the **▲** or **▼** keys to view Database List A

Press the if you want to delete or change his/her number from List A to List B.

```
3132347890  
LOUIS PAUL  
Delete ?  
Next Enter
```

```
3132347890  
LOUIS PAUL  
Send to list B?  
Next Enter
```

Then press the **Enter** key.

The process to review Database List B or List R is similar. Always press the **Next** key to scroll through your options and the **Enter** key to select that options.

Set Control Levels

Press the **Menu** key until the display reads "Set up control level".

```
Set up  
Control level  
  
Enter
```

Then press the **Enter** key.

00:00 - 00:59
Ring All #
Except List R
Next Enter

Press the **Next** key, you can choose

00:00 - 00:59
Ring List A #
only
Next Enter

or

00:00 - 00:59
Ring List A and
B # only
Next Enter

Ring List A only, or Ring List A and List B only

00:00 - 00:59
Ring All #
Except List R
Next Enter

or

Ring all numbers except for List R.

Press the **Enter** key to set the controller and go to next hours:

The process is the same for next hour:

01:00 - 01:59
Ring All #
Except List R
Next Enter

Repeat the process for each hour you wish to control. You have the ability to set controls for 24 separate hours (one day) if you want.

Search for Number by Name

Press the **Next** key when the device is "sleeping" or

Press the **Menu** key until the display reads "Search phone number by first character of last name"

Search number by
first Char. of
last name ?
Enter

Then press the **Enter** key.

_ ABCDEF
GHI JKLM
NOPQRST
UVWXYZ* Enter

Use the **▲ ▼** and **< - >** to move the cursor to the first character of the person's last name.

For example, scroll to "S"

ABCDEF
GHI JKLM
NOPQRST
UVWXYZ* Enter

Then press the **Enter** key.

[S] 001
3124560987
STONE BRIDGE
Next

It shows every contact with a last name that begins with "S" and their phone number.
Press the **Next** key to move to the next one, the search order by phone number.

[S] 002
4169017890
SMITH BRAIN
Next

Speed Dial

In any situation you can direct dial the number only if the phone number shows on screen.
Just Press **Dial** key and **Local/Long** key for alter long or local phone call.

Indicator Lights

The device has three colors to indicate the caller's status:

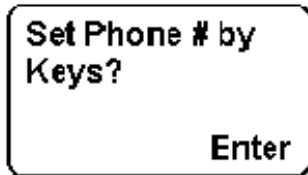
- Red light: The caller's number is on List A (Important caller)
- Green light: The caller's number is on List B (Normal caller)

- Orange light: The caller's number is on List R (Reject caller)
- No light: The caller's number is not in the database

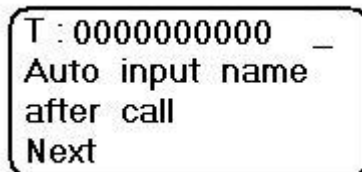
To Reset Memory

This process will erase all phone number and contact information currently stored in your device!

Press the **Menu** key until the display reads "Set phone number by keys".



Then press the **Enter** key.



Then use the **▲ ▼** to select numbers and the **< ->** to move the cursor to set the number as T: 0 0 0 0 0 0 0 0 0 _ _ _ _ (4 spaces)
Then press the **Enter** key. The light will become red and green (only 4 seconds).

Troubleshooting & Notes:

The device may not function if screen backlight is on. When the screen backlight is on, the unit is in program mode, when the screen backlight is off, the unit is in operating mode. The backlight will automatically go to off after 20-30 seconds of inactivity and go into operating mode. To wake up the device, press the **Menu**, **Enter** or **Next** Key. In any situation, unplugging the device will return it to the original main menu.

How to block unwanted calls:

There is 2 way to block calls

- 1. Block certain number , and let all new or other calls get pass.**
You only need to input these certain unwanted caller's number into List R.
You may use wildcard for certain area code. (Limit 70 numbers).
- 2. Block all other calls, and only let certain calls at certain time get pass.**
You need set control level as "Ring List A # only" or "Ring List A and B # only" hour by hour for 24 hours (the limit of invited caller is 200), and input these invited caller into List A or List B. You may use wildcard for certain number.

Testing:

Please waiting 30 seconds, let the unit backlight turn off when you test it. The device may not function properly if screen backlight is on.

Notice:

The caller's name and number are sent once by the Phone Company and go to the ring controller device; therefore your phone or handset cannot display the name and number on screen.

FCC Registration Information:

Your telephone equipment is registered with the Federal Communication Commission and is in compliance with parts 15 and 68, FCC rules and Regulations.

Telephone Device Interference Information:

This device complies with Part 15 of the FCC Rules. Operation is subject to two conditions (1) The device may not cause harmful interference; (2) The device must accept any interference received, including interference that may cause undesired operation.

This equipment has been tested and found to comply with part 15 of FCC rules. These limits are designed to provide reasonable protection against harmful interference in a residential installation.

The Federal Communication Commission has prepared a helpful booklet, "How to Identify and Resolve Radio/TV Interference Problems." This booklet is available from the U. S. Government Printing Office. Washington, DC 20402. Please specify stock number 004-000-00345-4 when ordering your copies.

JF Technical Developing Co.
96 Mowry Ave.
Norwich, CT 06360
www.JFTeck.com